

feather&black

Perfect Bedtimes

Verona King Size Upholstered Bed (5.0') – Assembly Guide

IMPORTANT READ CAREFULLY – RETAIN FOR FUTURE REFERENCE

Thank you for buying the Verona King Size Upholstered Bed (5.0')

- Please take a few quiet minutes to read these instructions
- It is recommended that this product is assembled by two adults
- This product contains small parts, keep small children clear of the assembly area

PRODUCT SAFETY

- All assembly fastenings should always be tightened properly and care should be taken that no fittings are loose
- Periodically check and ensure that all components are in their proper position, free from damage, and that all connectors are tight

PRODUCT CARE

- Wipe clean using a soft damp cloth followed by dry cloth
- Do not use abrasives or cleaning product which may contain ammonia or solvents
- Take care when handling or moving the furniture. Careless handling can damage wooden furniture, try to lift rather than drag
- Do not jump or stand on product

ASSEMBLY

- Please use Allen key (included) to assemble the Verona King Size Upholstered Bed (5.0')



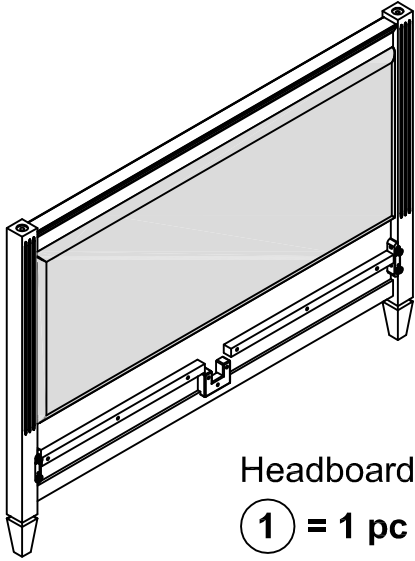
Contact Detail Customer Service Centre
(01243)380 600

sales@featherandblack.com
www.featherandblack.com

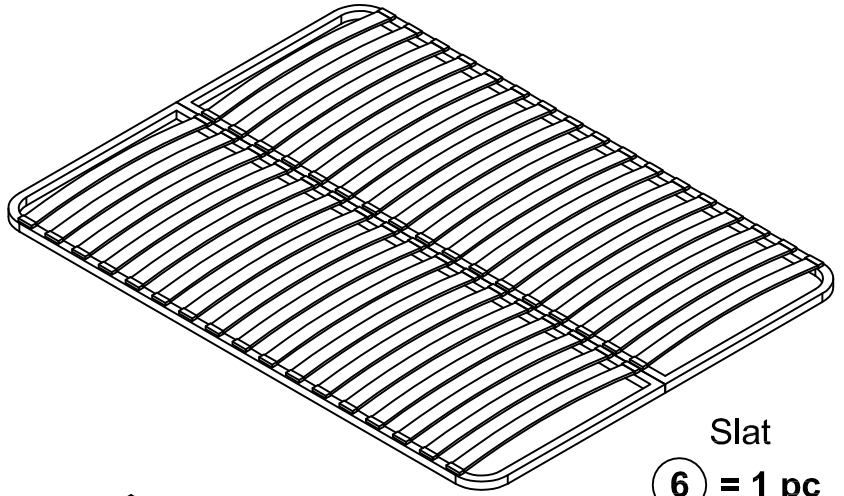
ASSEMBLY INSTRUCTIONS

VERONA KING SIZE UPHOLSTERED BED (5.0')

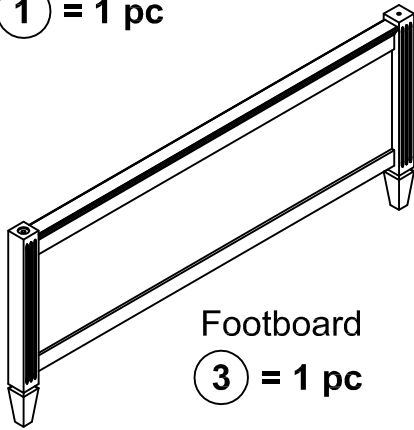
Parts List



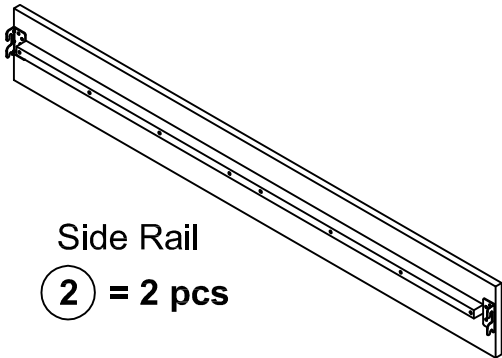
Headboard
① = 1 pc



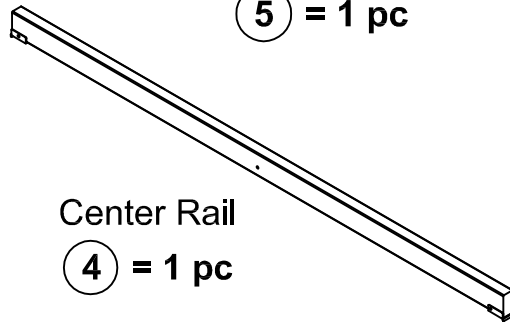
Slat
⑥ = 1 pc



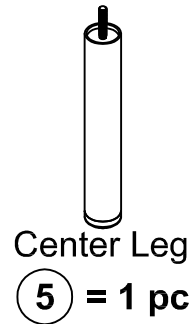
Footboard
③ = 1 pc



Side Rail
② = 2 pcs



Center Rail
④ = 1 pc

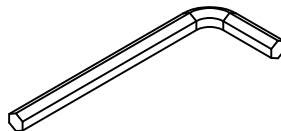


Center Leg
⑤ = 1 pc



Finial
⑦ = 4 pcs

Hardware List

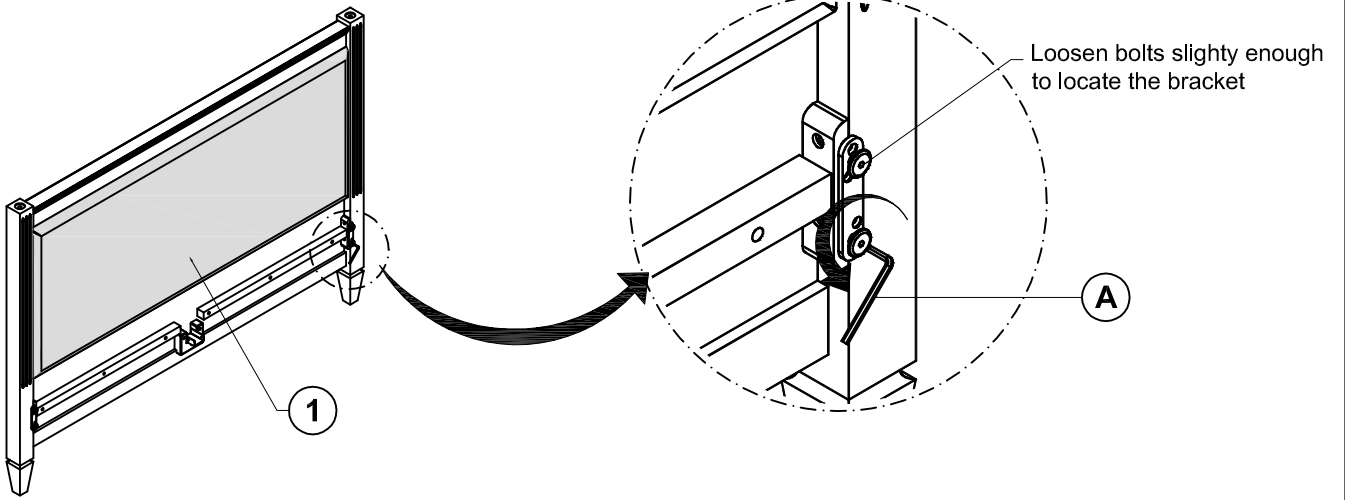


Allen Key
① = x 1

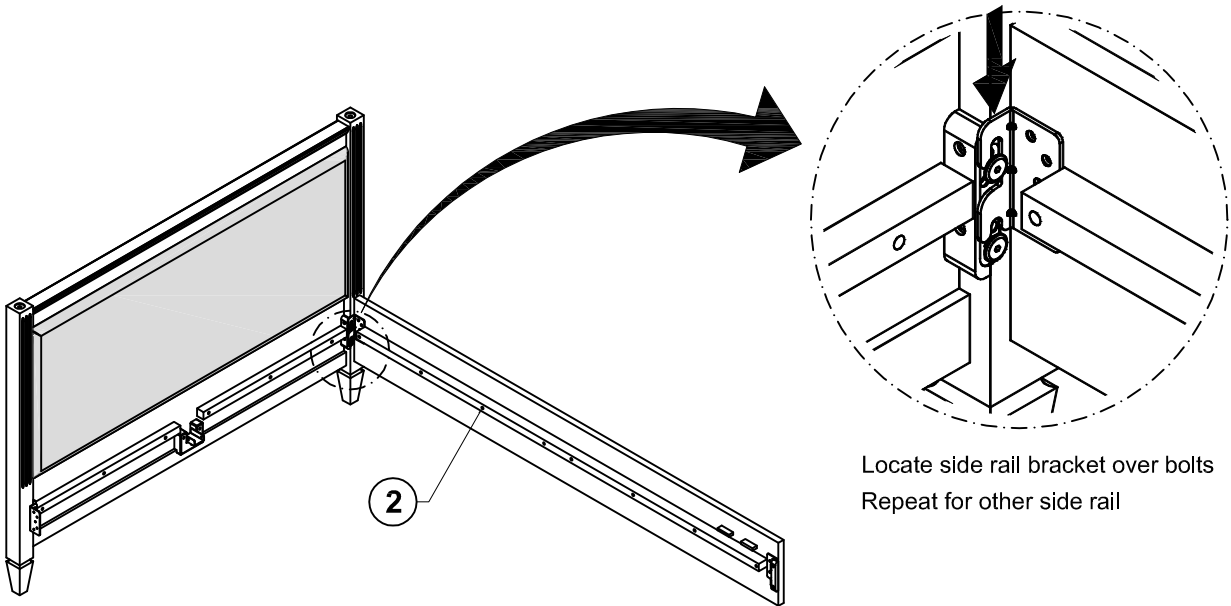
ASSEMBLY INSTRUCTIONS

VERONA KING SIZE UPHOLSTERED BED (5.0')

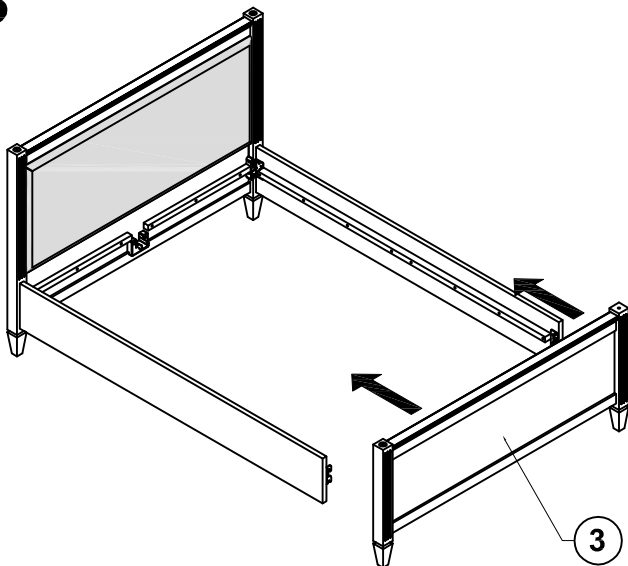
1



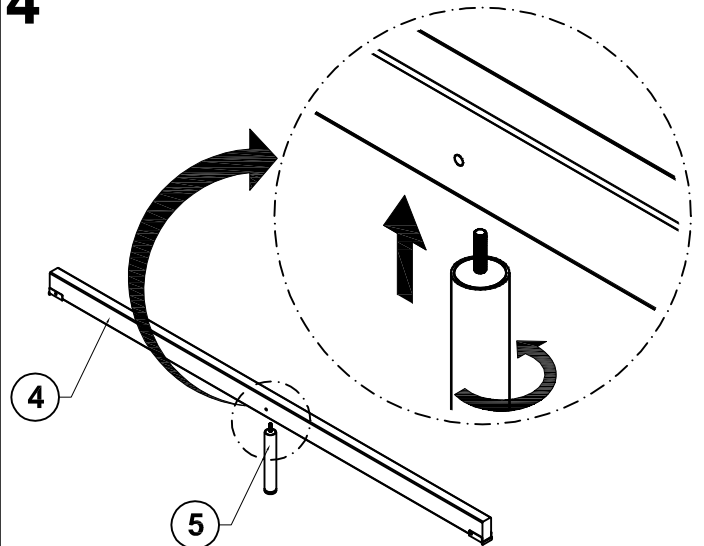
2



3



4

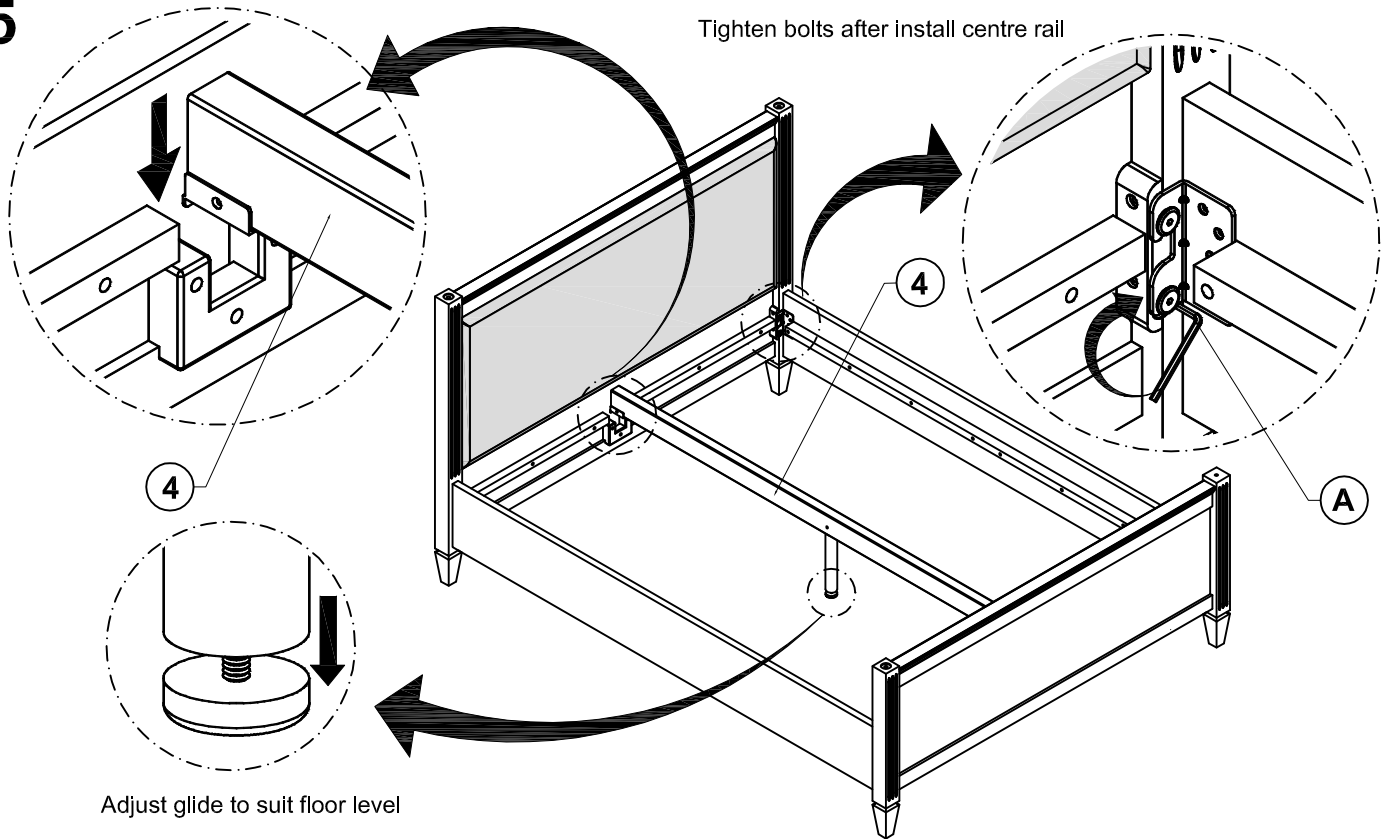


ASSEMBLY INSTRUCTIONS

VERONA KING SIZE UPHOLSTERED BED (5.0')

5

Tighten bolts after install centre rail



6

